

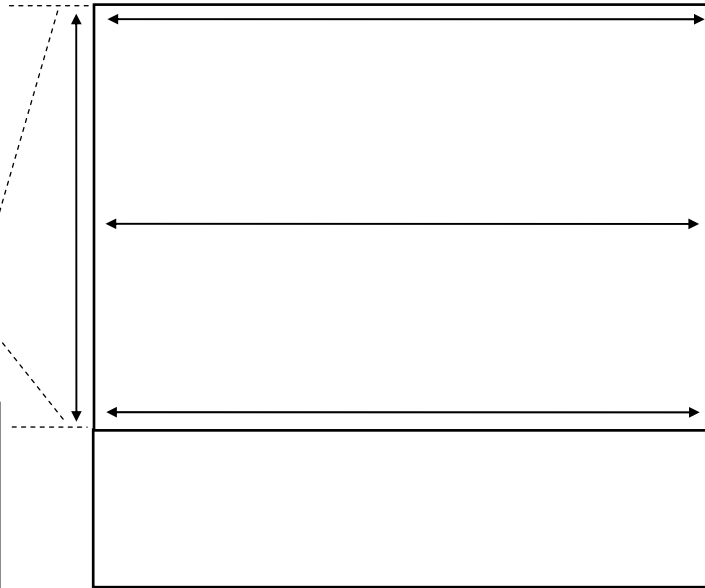
MEASURING FORM FOR TUB AND SHOWER ENCLOSURES
 50-L, 50 DUKE® or 80-L, 80 DUCHESS® or
 90-L, 90 PRINCESS® or 100-L, 100 VICTORIA®

Shower head
 left or right

Standard height
 56" or 58"

Custom height if not standard
 Left height _____
 Right height _____

Are wall fillers needed?
 yes for left wall
 size _____ to _____
 yes for right wall
 size _____ to _____



Top opening

Middle opening

Bottom opening

Tapered tub filler needed?
 taper _____ to _____

If either wall is out of plumb or tub is off level more than 3/8", tapered filler(s) will be needed

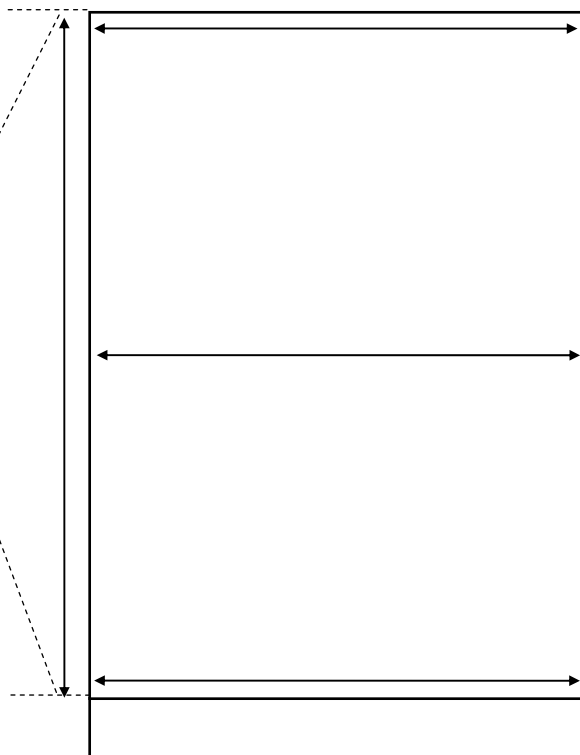
581, 581-H DUKE® or 881, 881-H DUCHESS® or
 981, 981-H PRINCESS® or 181, 181-H VICTORIA®

Shower head
 left or right

Standard height
 66" or 71"

Custom height if not standard
 Left height _____
 Right height _____

Are wall fillers needed?
 yes for left wall
 size _____ to _____
 yes for right wall
 size _____ to _____



Top opening

Middle opening

Bottom opening

Tapered base filler needed?
 taper _____ to _____

If either wall is out of plumb or base is off level more than 3/8", tapered filler(s) will be needed

MEASURING FORM FOR SINGLE SHOWER DOOR

561, 561-H DUKE® or 861, 861-H, 863-H DUCHESS® or 161-W, 161-P VICTORIA®

Duchess standard height
66" or 70 1/2"
Duke standard height
65 3/4" or 70 1/4"
Victoria height
must be specified

Custom height if not
standard
Left height _____
Right height _____

Hinge
 left or right

Shower head
 left or right

Steam unit ? yes

Are wall fillers needed?
yes for left wall
size _____ to _____
yes for right wall
size _____ to _____

Top opening

Middle opening

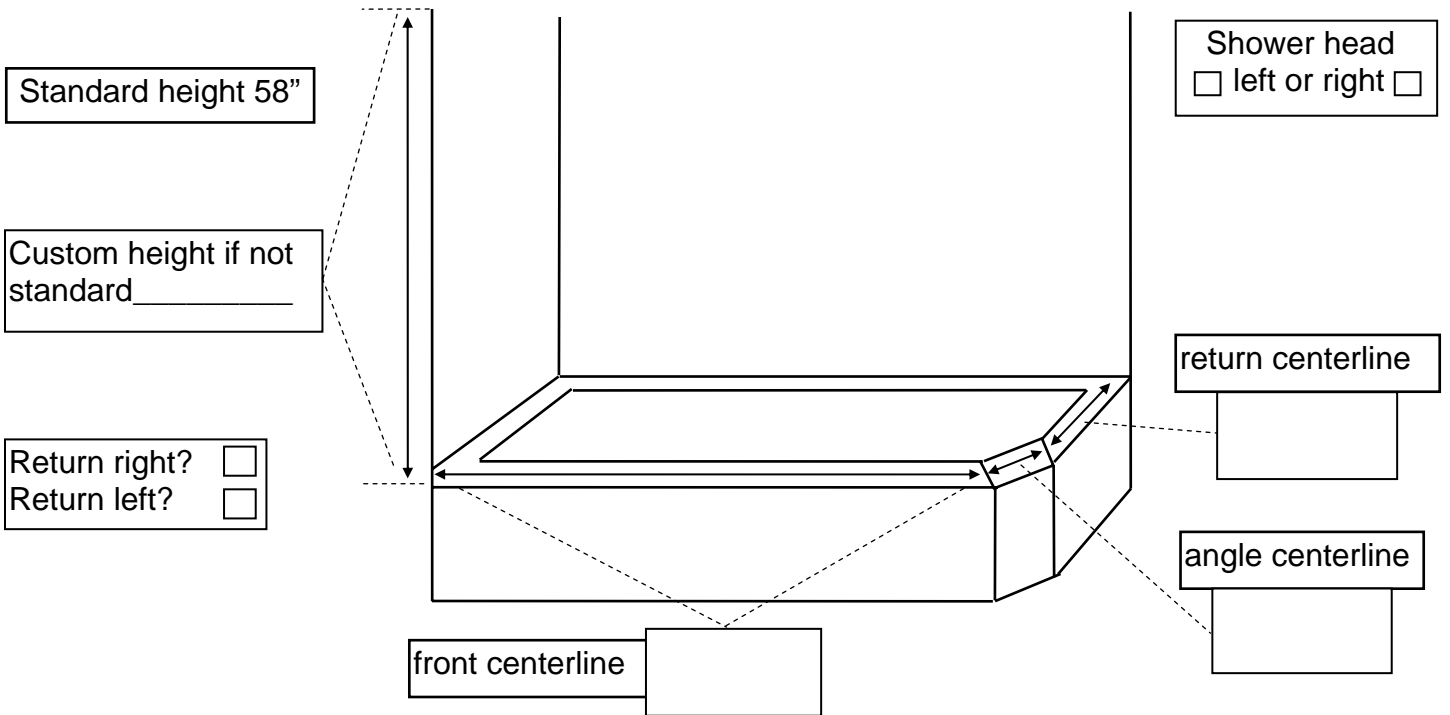
Bottom opening

Tapered base filler needed?
taper _____ to _____

STYLE-RITE OF AMERICA®
118 SEGER AVENUE
CLIFTON, NJ 07011
TEL 973-478-1100 FAX 973-478-7880

MEASURING FORM FOR OPEN END NEO-ANGLE TUB ENCLOSURE

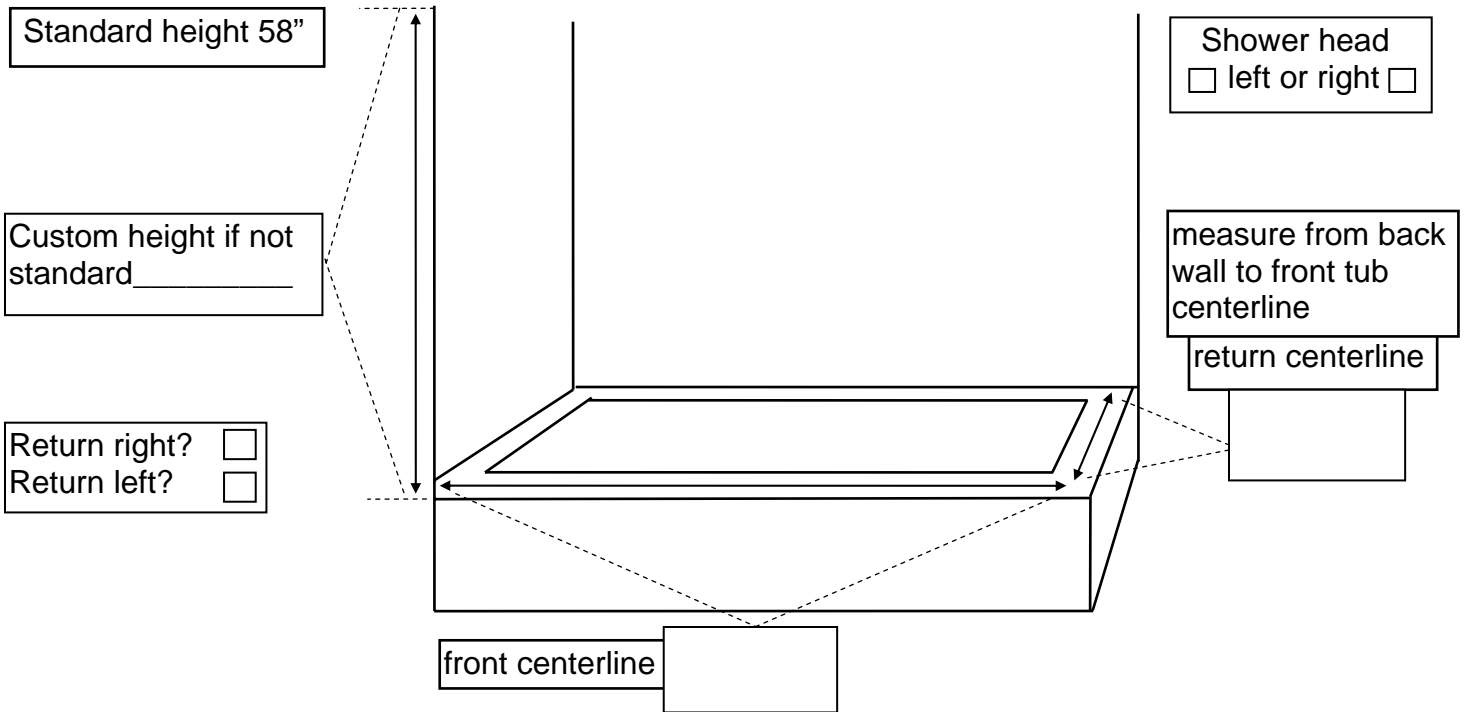
821 DUCHESS®



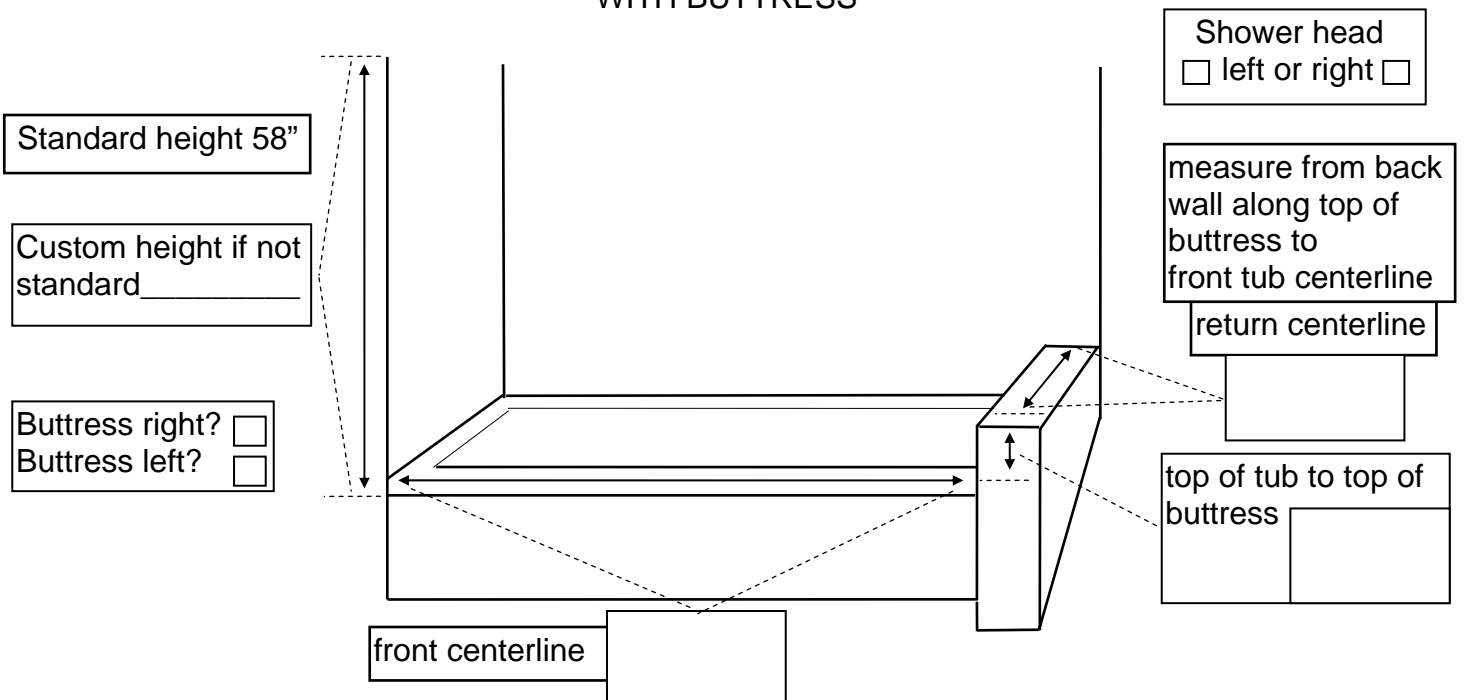
STYLE-RITE OF AMERICA®
 118 SEGER AVENUE
 CLIFTON, NJ 07011
 TEL 973-478-1100 FAX 973-478-7880

MEASURING FORM FOR CORNER TUB ENCLOSURES

832 DUCHESS® or 932 PRINCESS® or 132 VICTORIA®



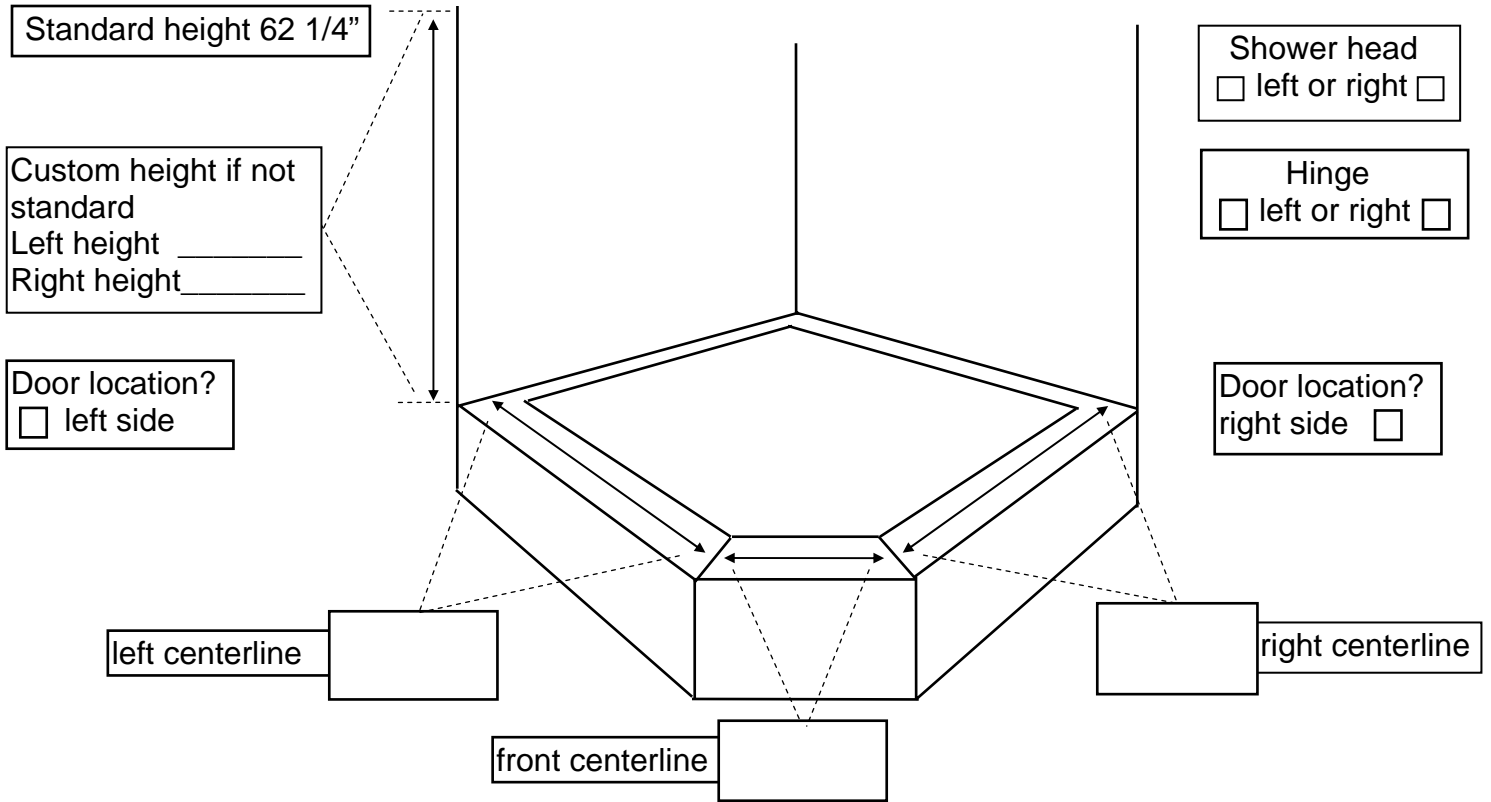
832-B DUCHESS® or 932-B PRINCESS® or 132-B VICTORIA®
 WITH BUTTRESS



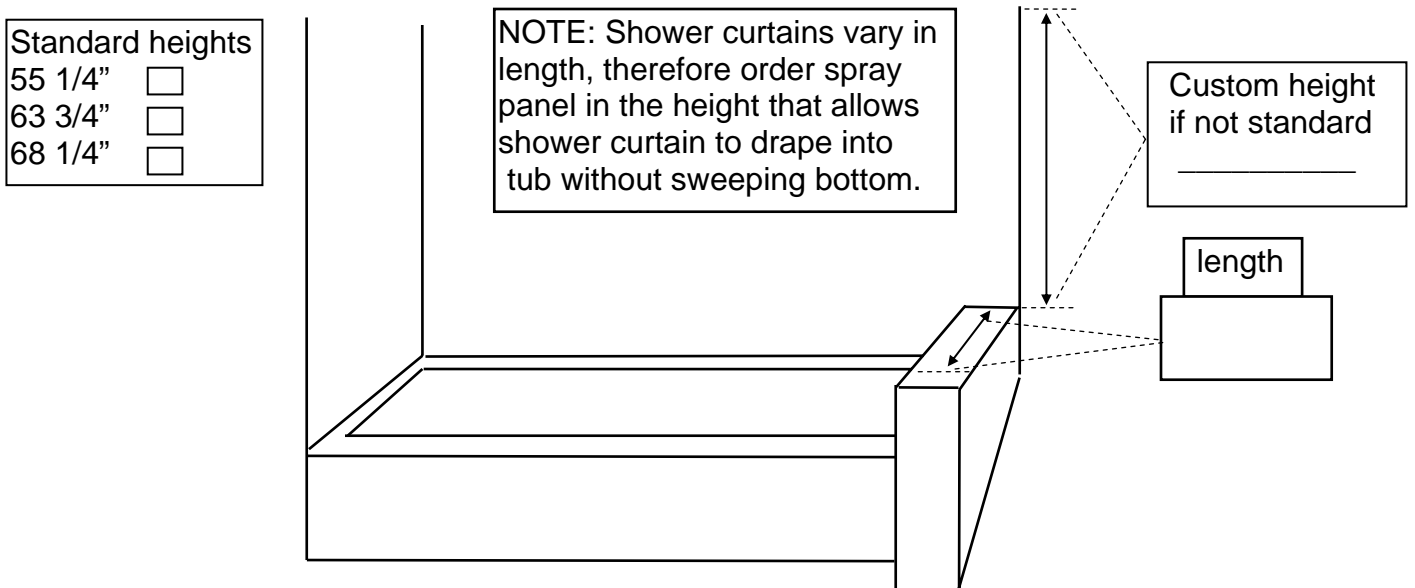
STYLE-RITE OF AMERICA®
 118 SEGER AVENUE
 CLIFTON, NJ 07011
 TEL 973-478-1100 FAX 973-478-7880

MEASURING FORM FOR NEO-ANGLE TUB ENCLOSURE
 AND END SPRAY PANEL

841 or 843 DUCHESS®

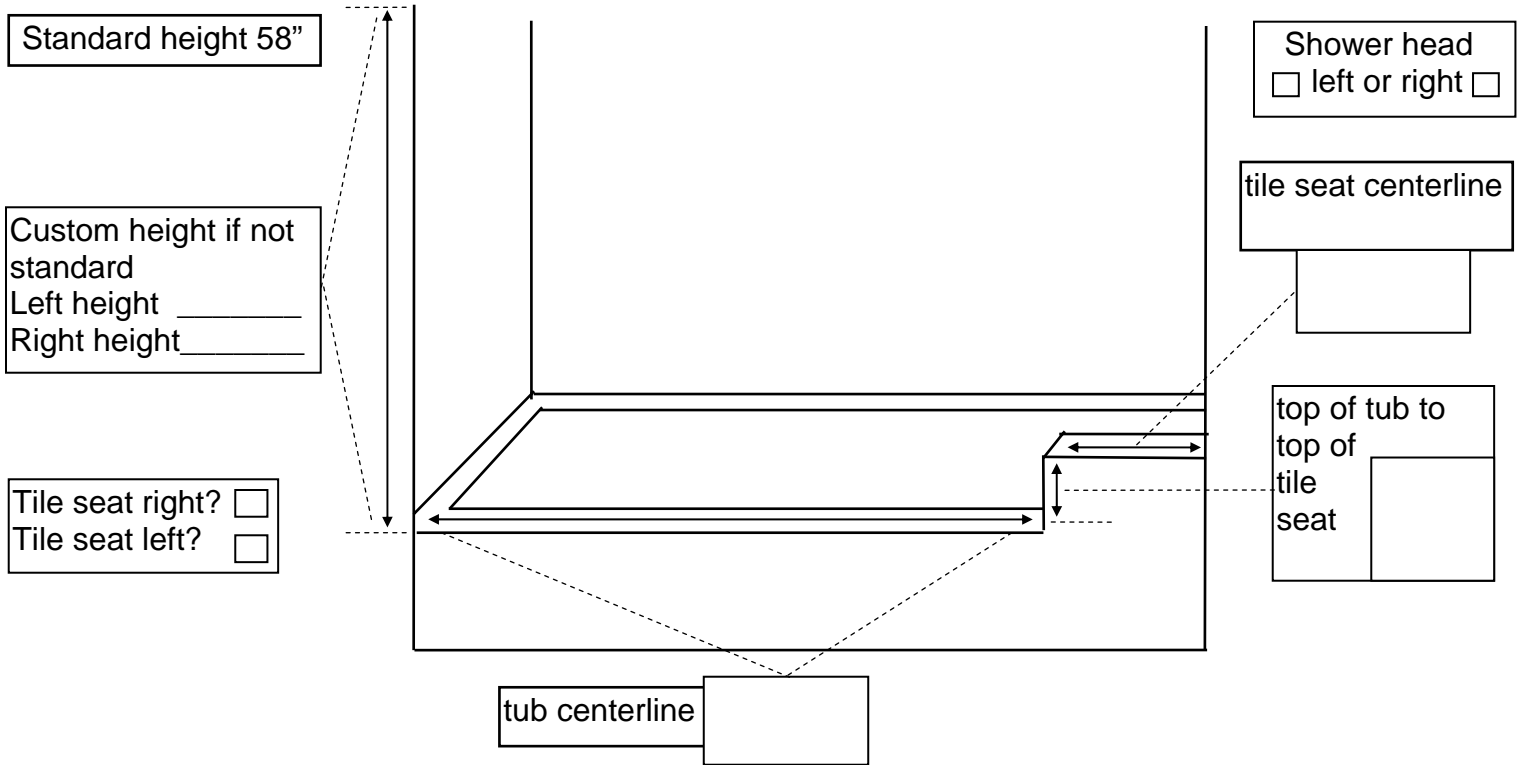


816, 816-C, 816-M or 816-H DUCHESS® END SPRAY PANEL

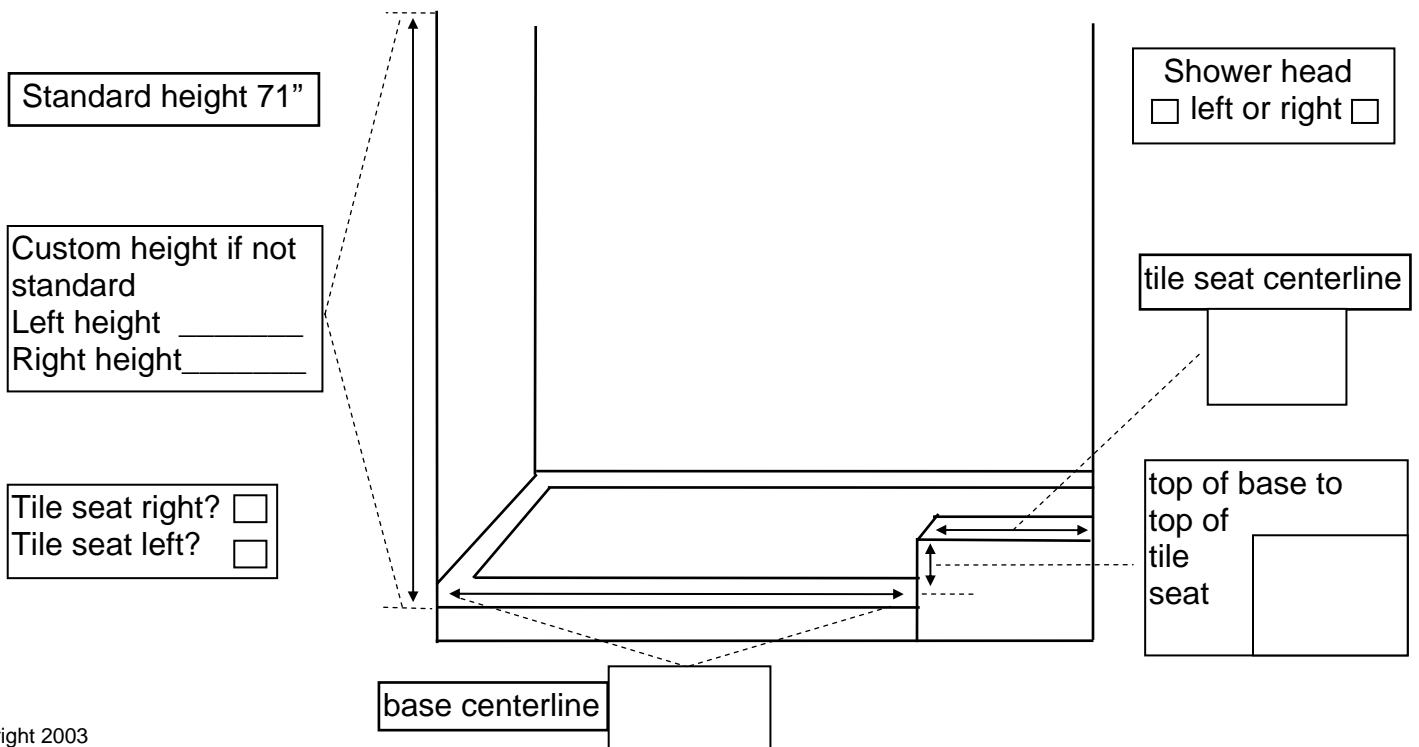


STYLE-RITE OF AMERICA®
 118 SEGER AVENUE
 CLIFTON, NJ 07011
 TEL 973-478-1100 FAX 973-478-7880

MEASURING FORM FOR ENCLOSURE WITH IN-LINE PANEL
 844 DUCHESS® or 944 PRINCESS® or 144 VICTORIA®



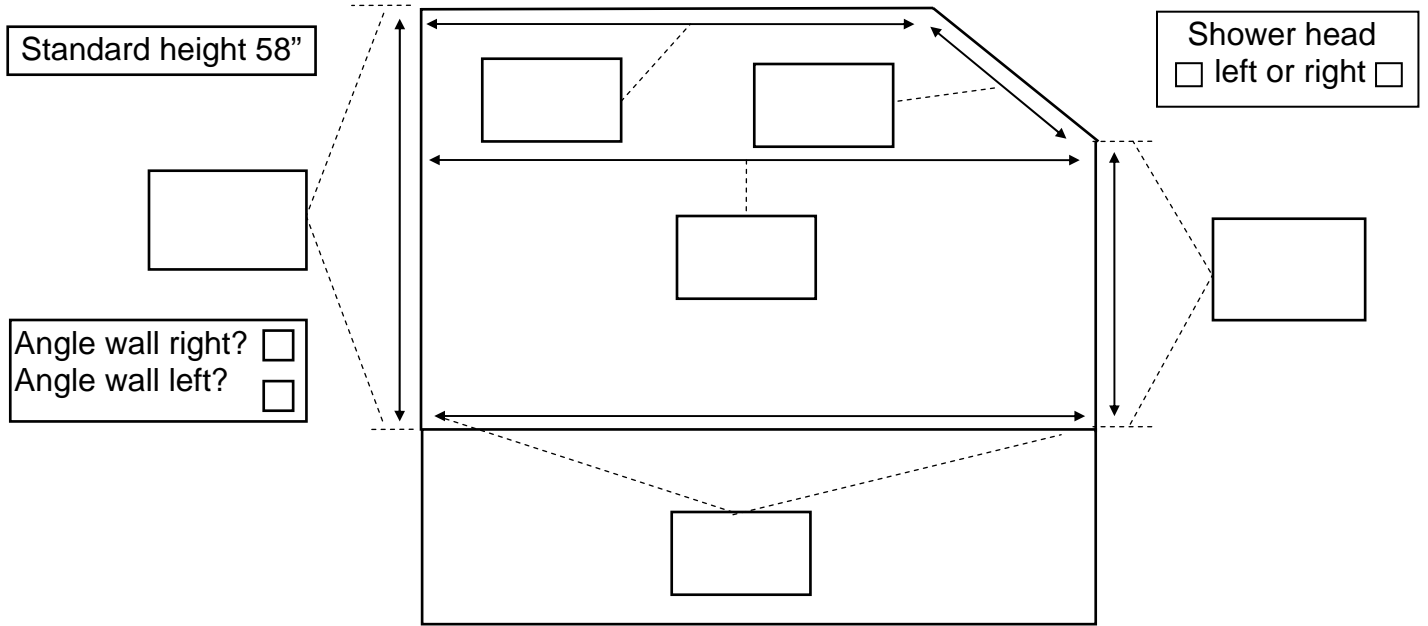
844-H DUCHESS® or 944-H PRINCESS® or 144-H VICTORIA®



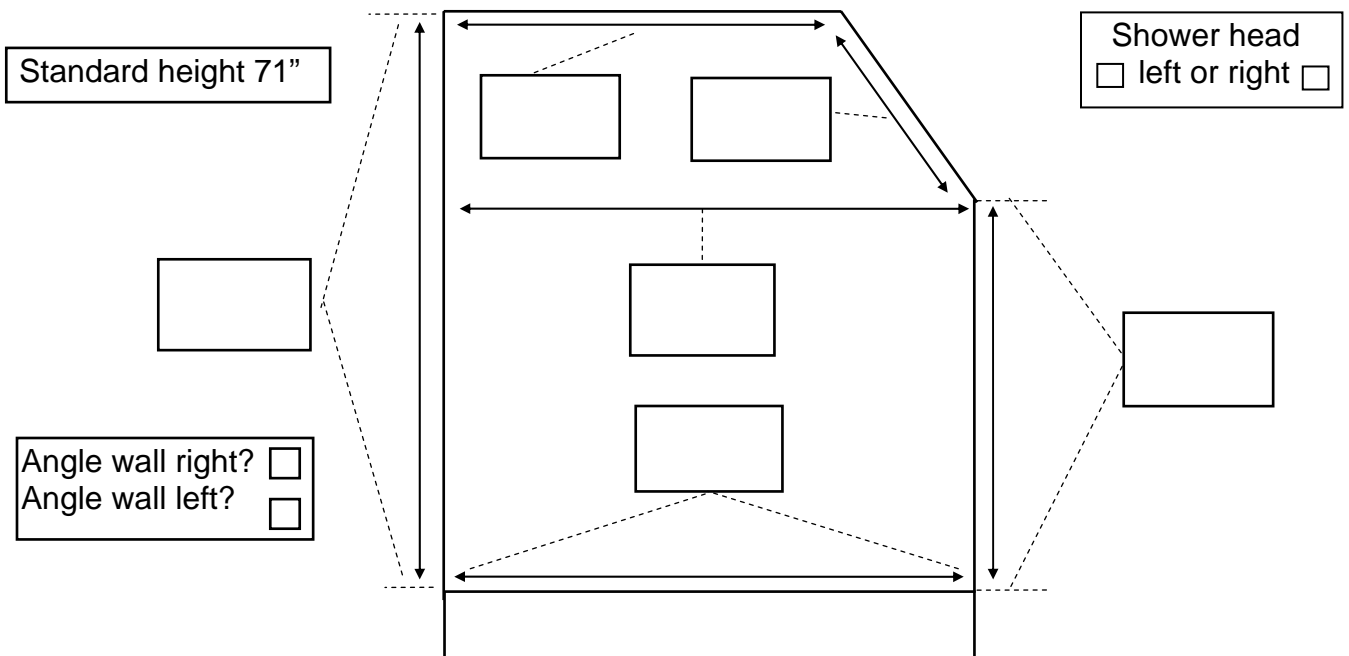
STYLE-RITE OF AMERICA®
118 SEGER AVENUE
CLIFTON, NJ 07011
TEL 973-478-1100 FAX 973-478-7880

MEASURING FORM FOR TUB AND SHOWER ENCLOSURES
WITH ANGLE-CUT PANELS

855 DUCHESS®

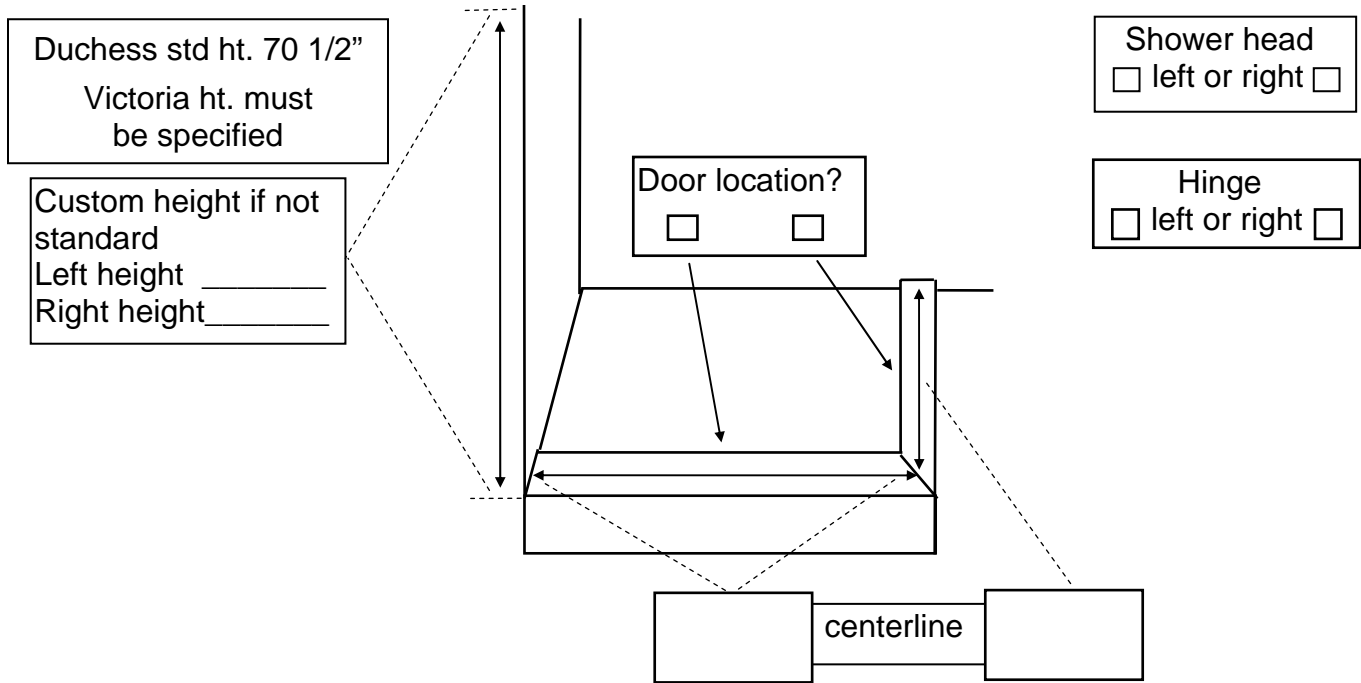


855-H DUCHESS®

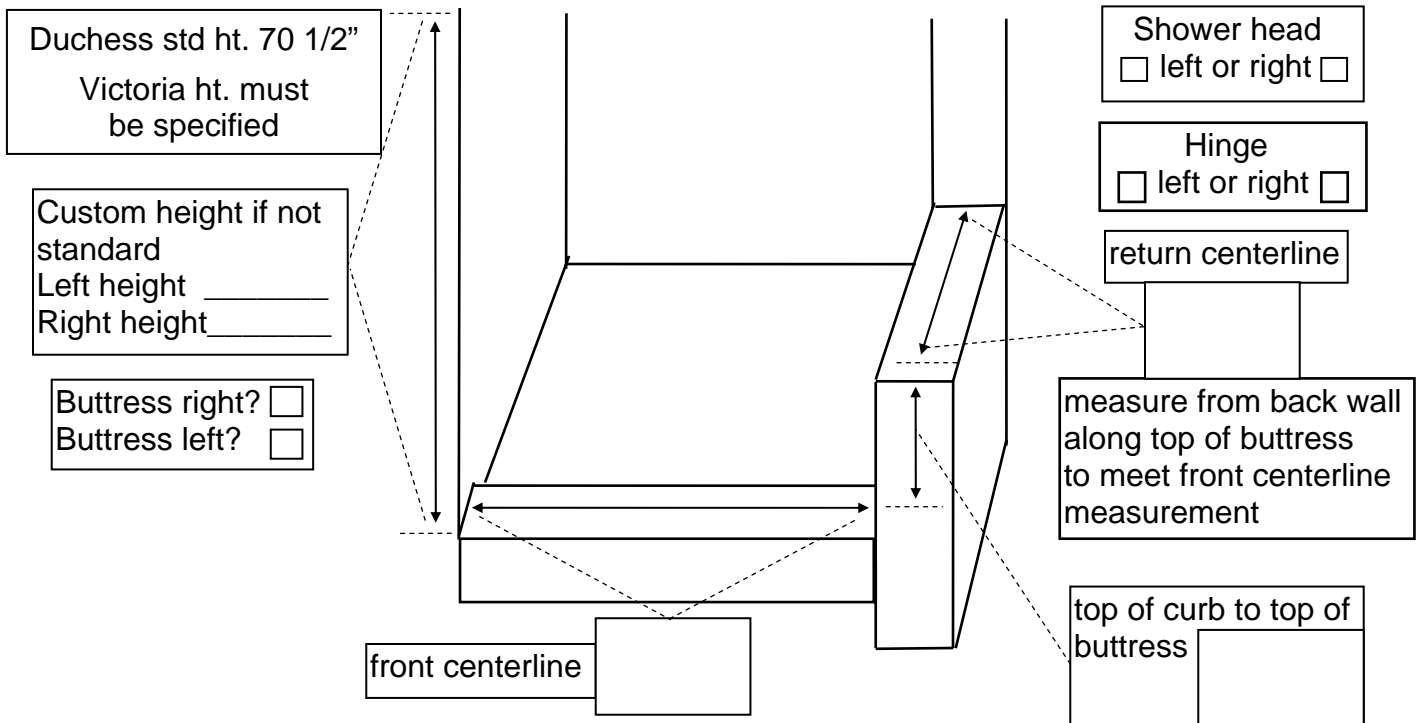


STYLE-RITE OF AMERICA®
 118 SEGER AVENUE
 CLIFTON, NJ 07011
 TEL 973-478-1100 FAX 973-478-7880

MEASURING FORM FOR CORNER SHOWER ENCLOSURES
 870 DUCHESS® or 170-G,170-P,170-W VICTORIA®

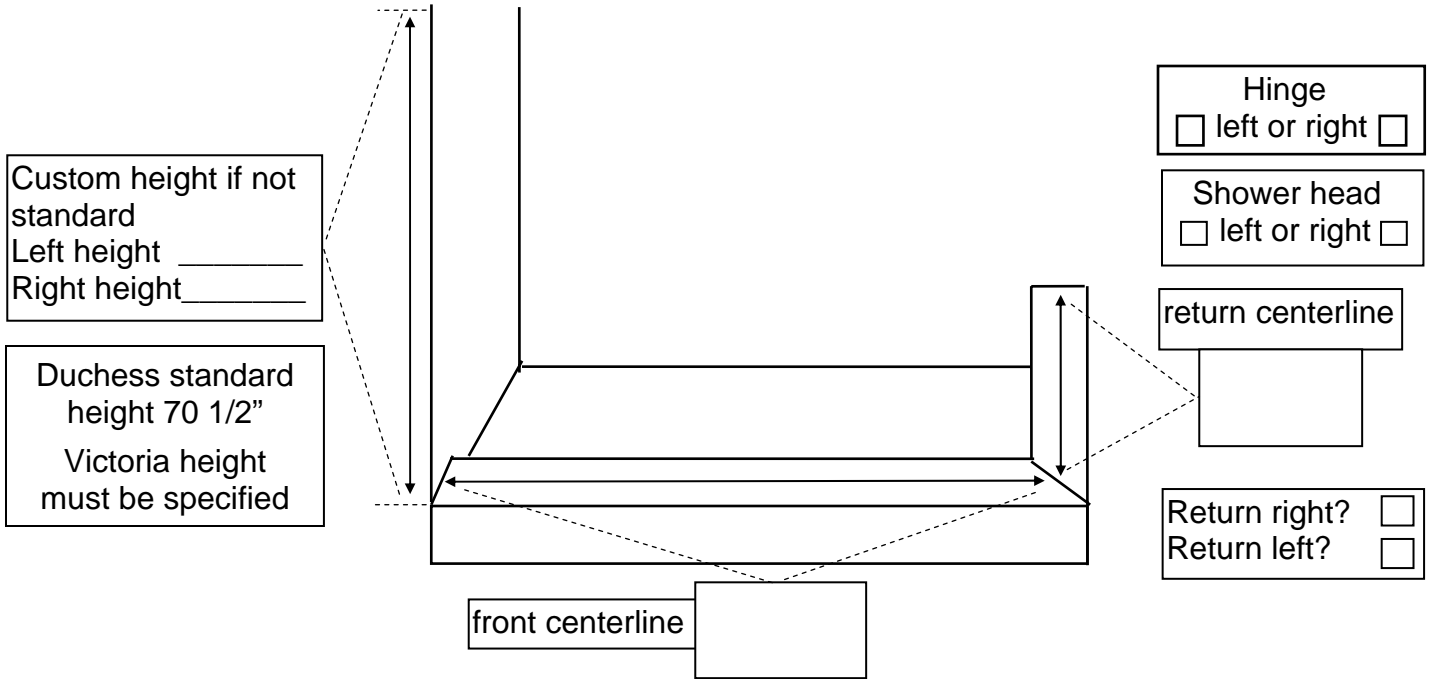


CORNER SHOWER ENCLOSURE WITH BUTTRESS WALL
 870-B DUCHESS® or 170-P, 170-W VICTORIA®

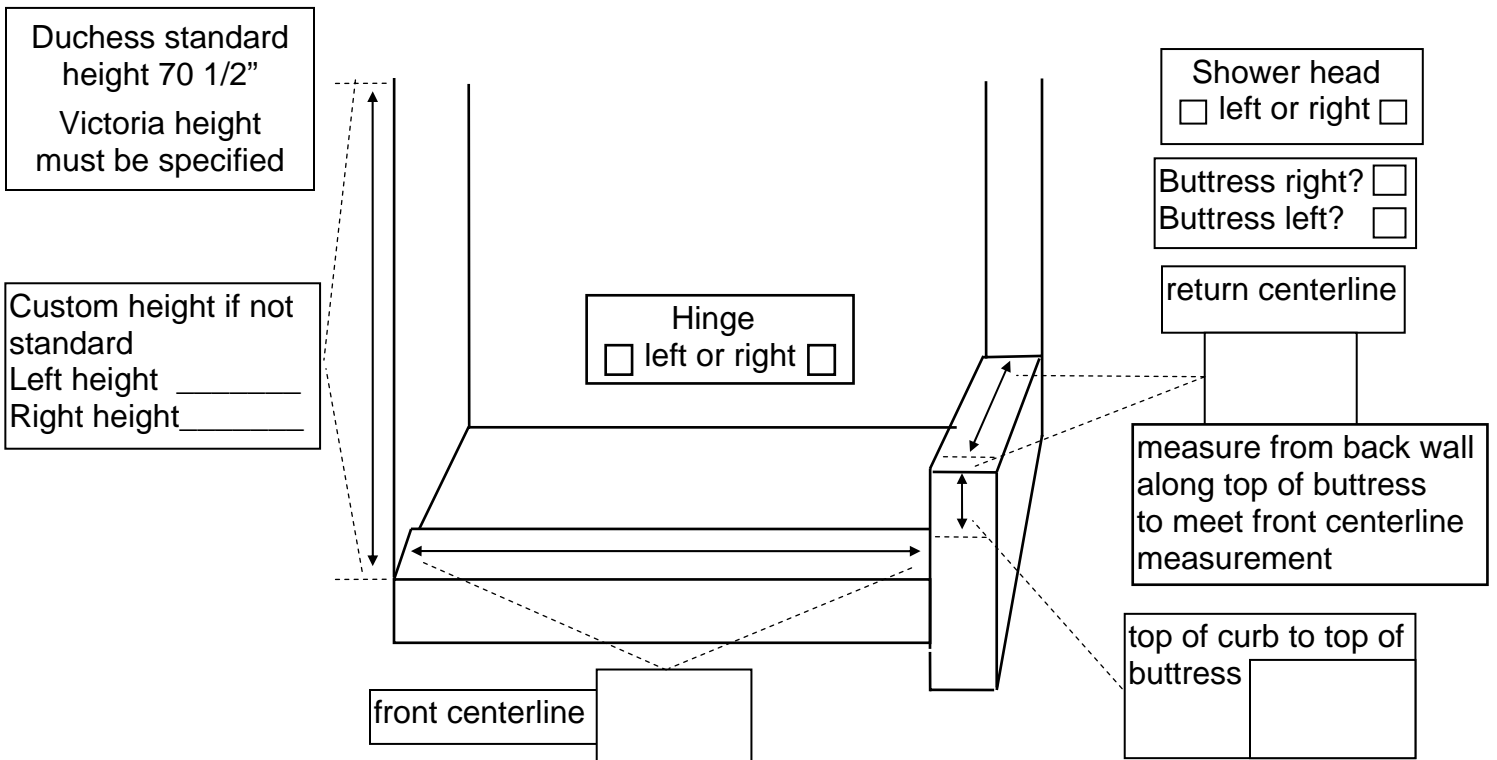


STYLE-RITE OF AMERICA®
 118 SEGER AVENUE
 CLIFTON, NJ 07011
 TEL 973-478-1100 FAX 973-478-7880

MEASURING FORM FOR CORNER SHOWER ENCLOSURES
 871-DUCHESS® or 171-G, 171-P, 171-W VICTORIA®



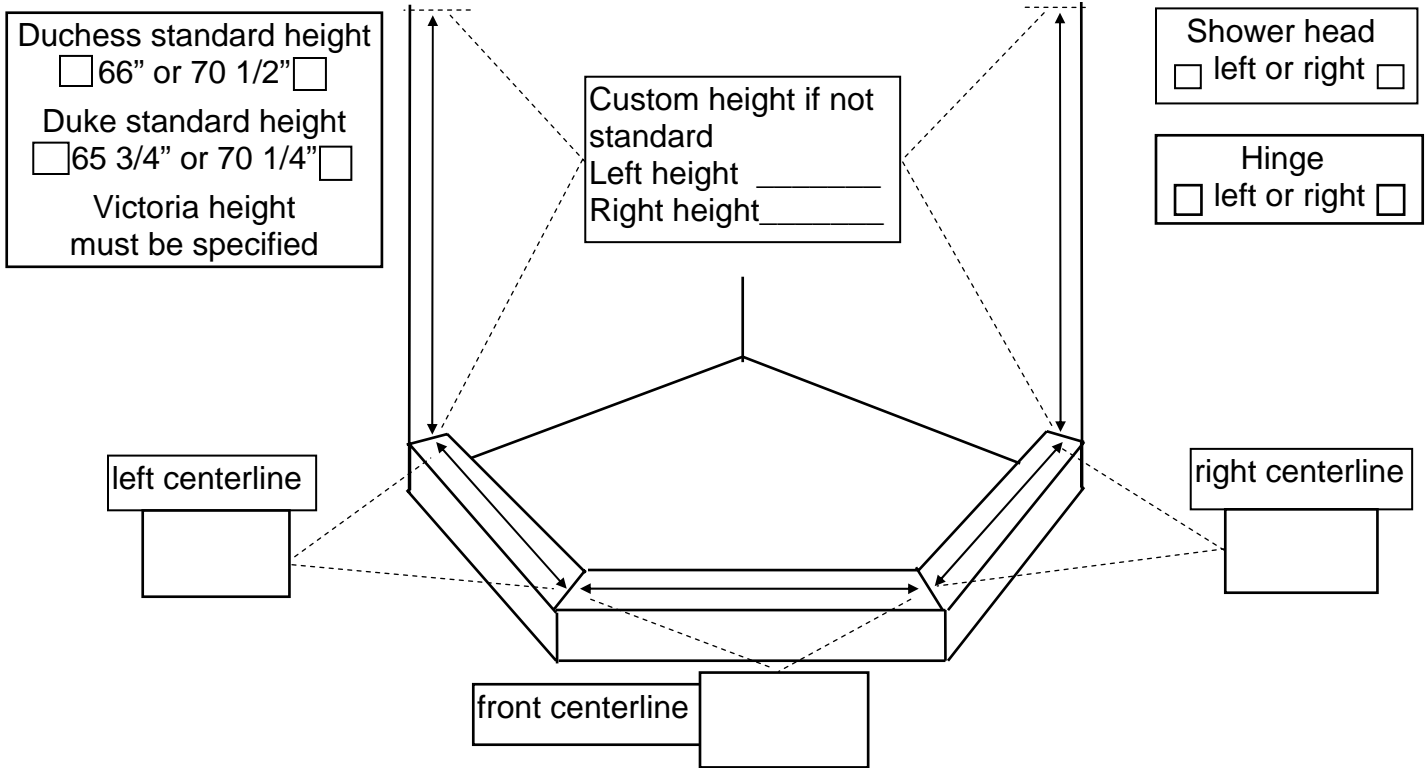
CORNER SHOWER ENCLOSURES WITH BUTTRESS WALL
 871-B DUCHESS® or 171-PNBR, 171WNBR VICTORIA®



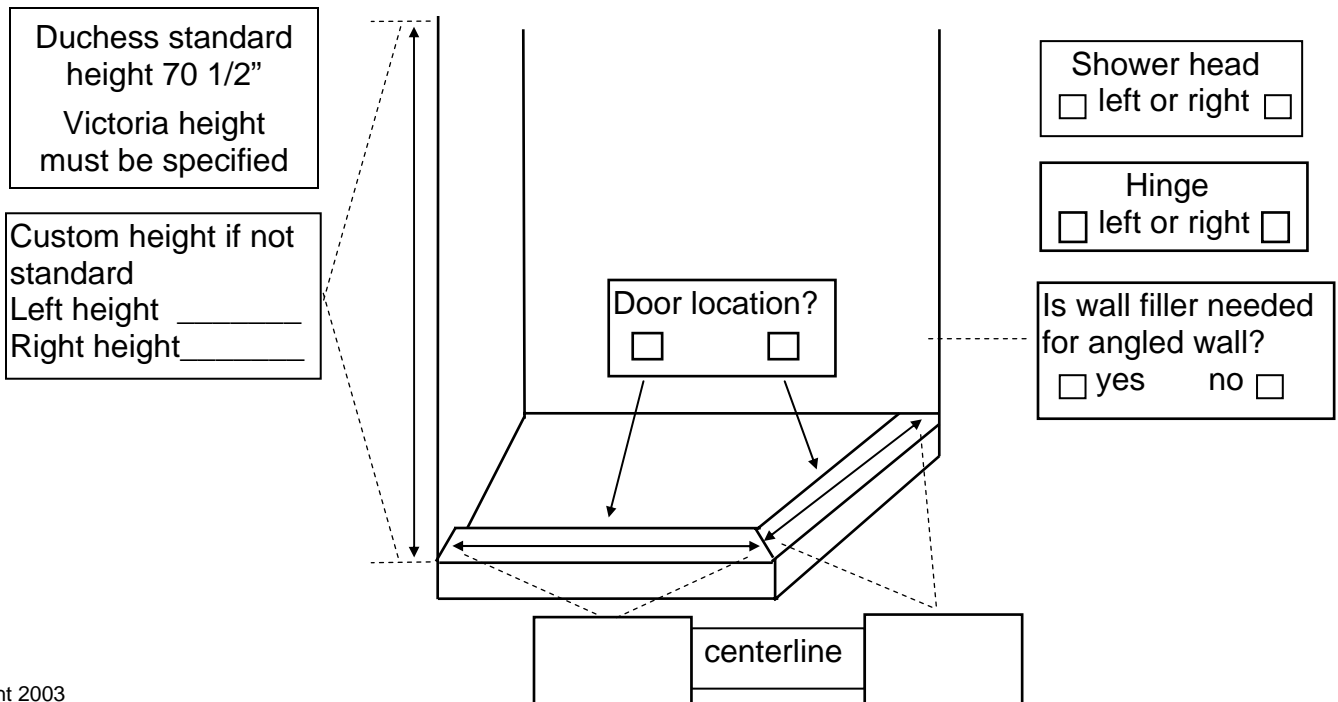
STYLE-RITE OF AMERICA®
 118 SEGER AVENUE
 CLIFTON, NJ 07011
 TEL 973-478-1100 FAX 973-478-7880

MEASURING FORM FOR NEO-ANGLE SHOWER ENCLOSURES

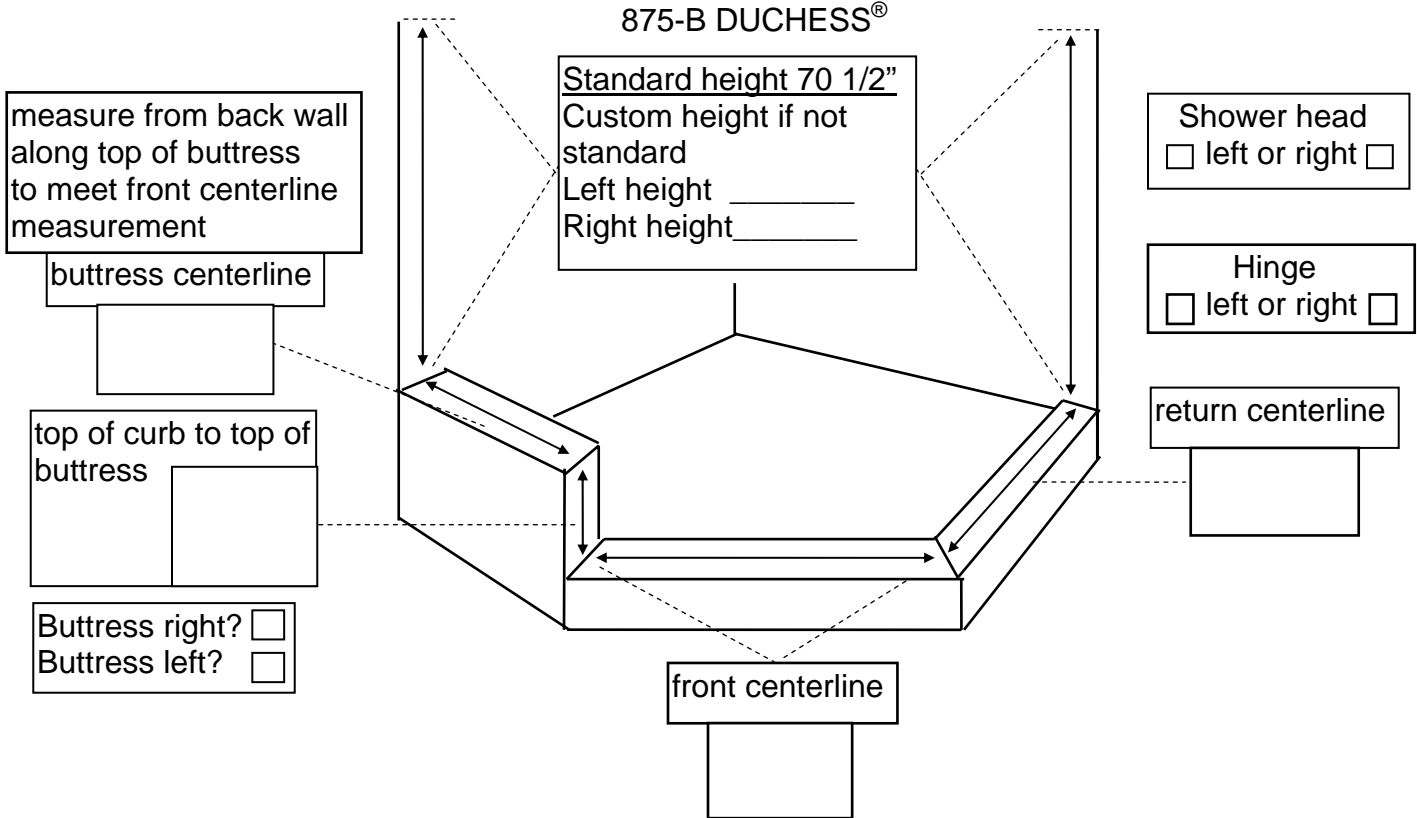
573, 573-H DUKE® or 873, 873-H DUCHESS® or 173-G, 173-P VICTORIA®



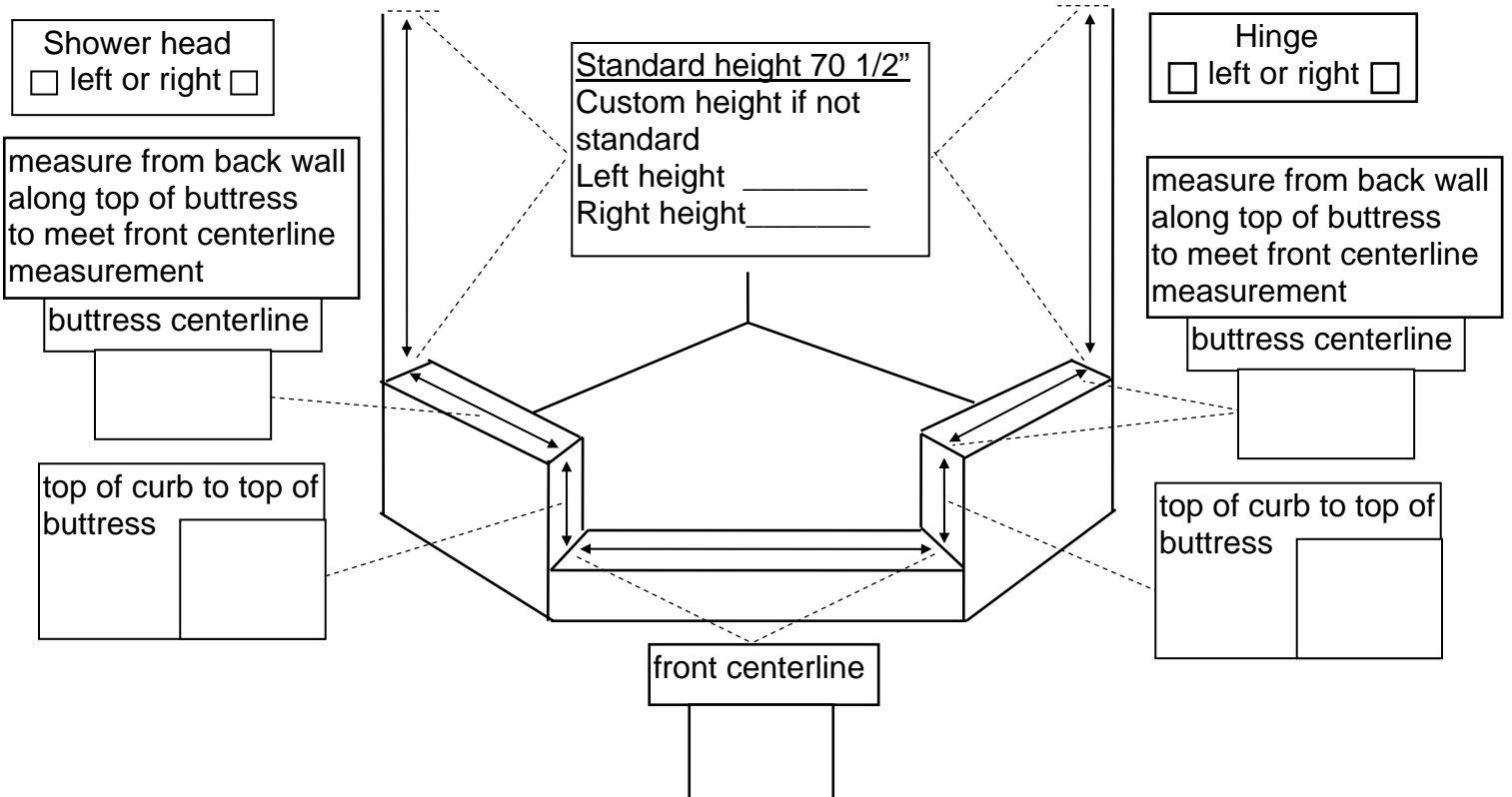
874-H DUCHESS® or 174G, 174P, 174W VICTORIA® 2/3 NEO-ANGLE



MEASURING FORM FOR NEO-ANGLE ENCLOSURES WITH BUTTRESS WALL(S)

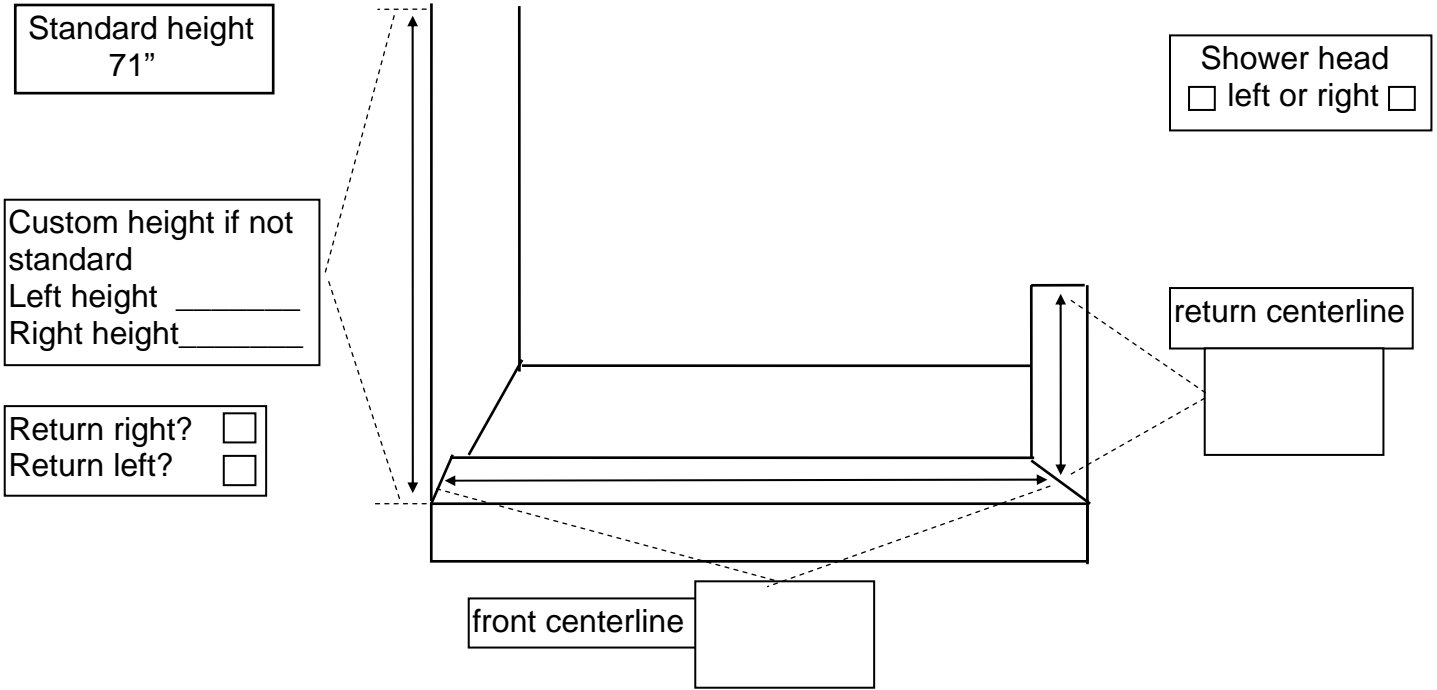


876-B DUCHESS®

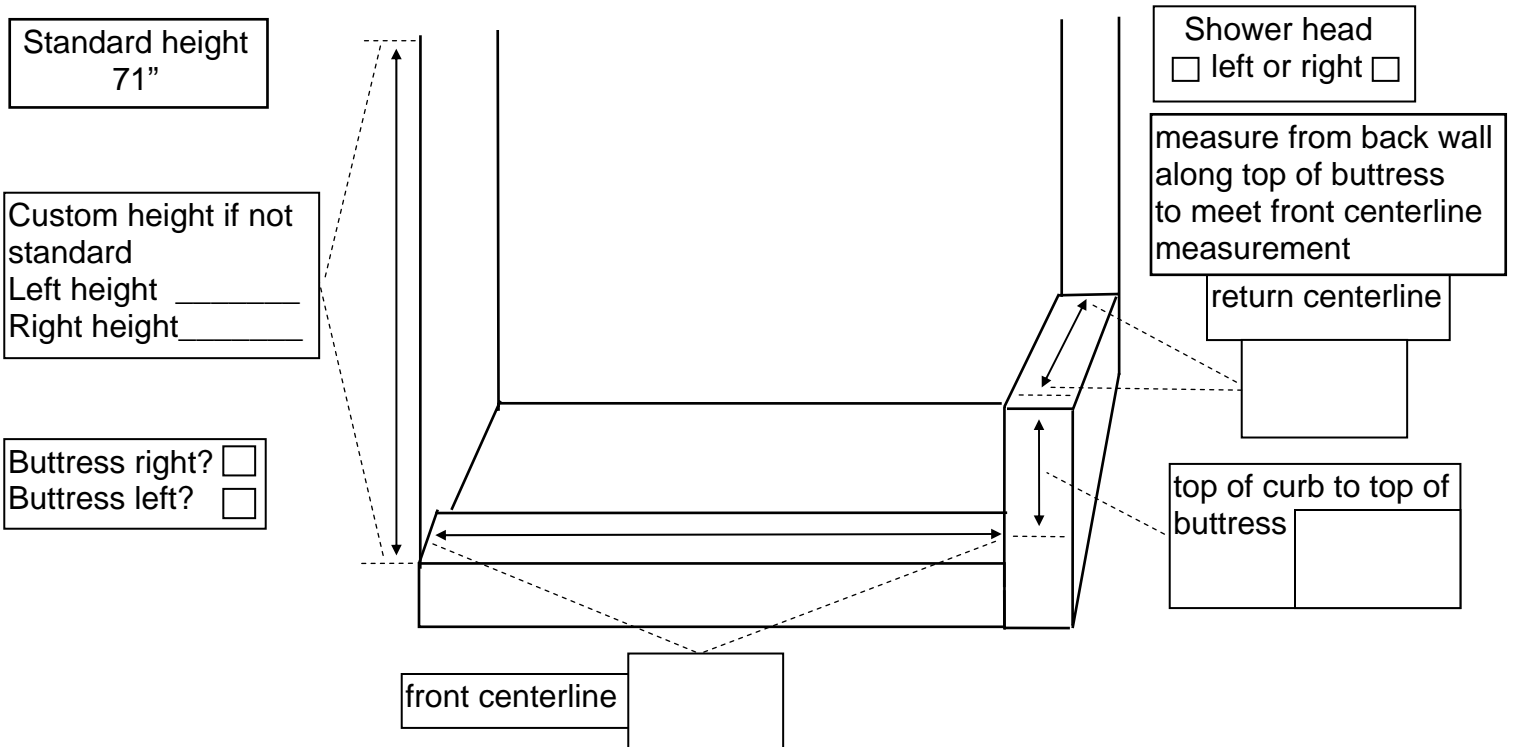


STYLE-RITE OF AMERICA®
 118 SEGER AVENUE
 CLIFTON, NJ 07011
 TEL 973-478-1100 FAX 973-478-7880

MEASURING FORM FOR CORNER SHOWER ENCLOSURES
 882 DUCHESS® or 982 PRINCESS® or 182 VICTORIA®



CORNER SHOWER ENCLOSURES WITH BUTTRESS WALL
 882-B DUCHESS® or 982-B PRINCESS® or 182-B VICTORIA®



MEASURING FORM FOR SHOWER DOOR AND PANEL(S)

591, 591-H DUKE® or 891, 891-H DUCHESS® or 191G, 191P, 191W VICTORIA® (door and panel)

501, 501-H DUKE® or 801, 801-H DUCHESS® or 101G, 101P VICTORIA® (panel-door-panel)

Duchess standard height
66" or 70 1/2"

Duke standard height
65 3/4" or 70 1/4"

Victoria height
must be specified

Custom height if not
standard
Left height _____
Right height _____

Hinge
 left or right

Shower head
 left or right

Steam unit ? yes

Are wall fillers needed?
yes for left wall
size _____ to _____
yes for right wall
size _____ to _____

Top opening

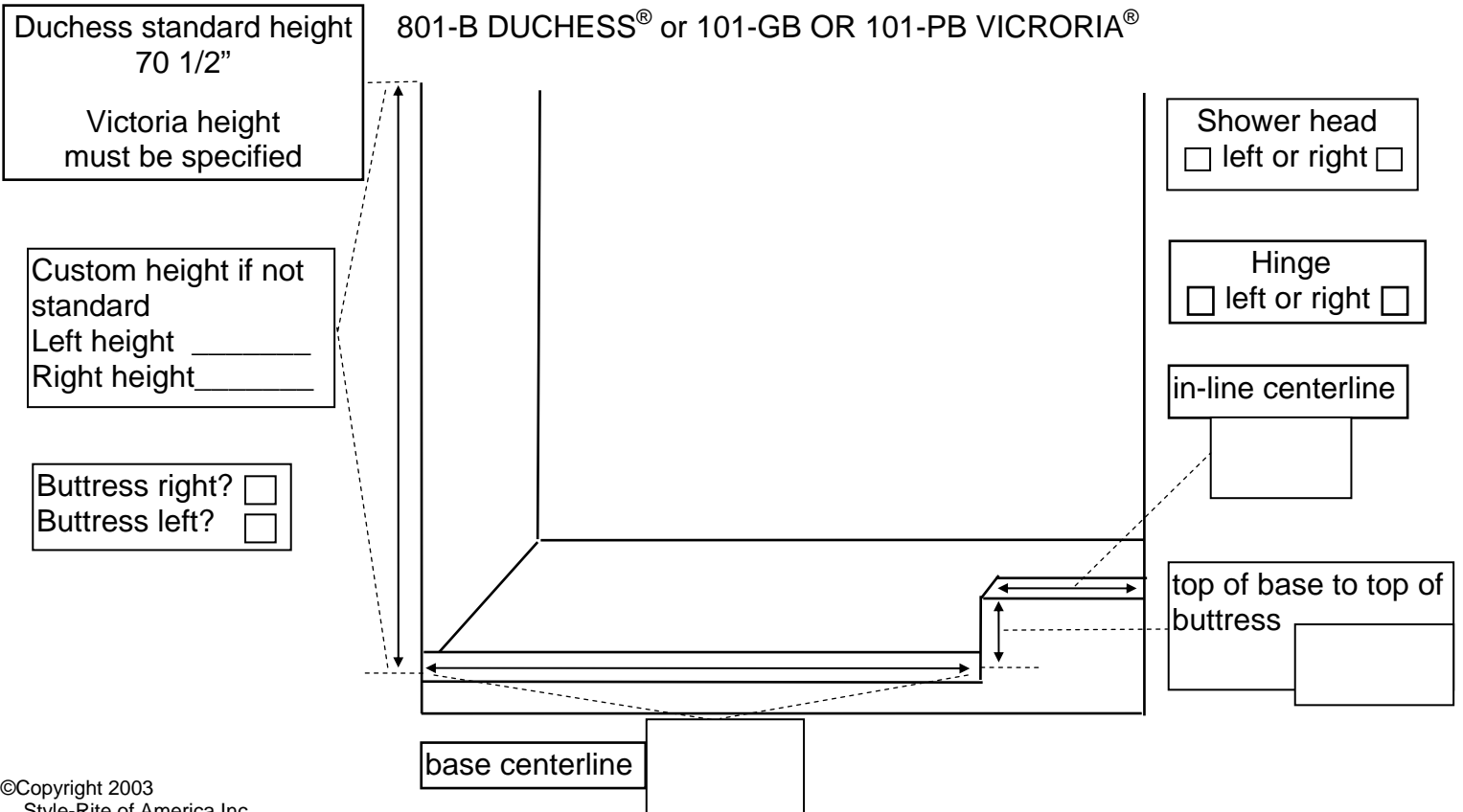
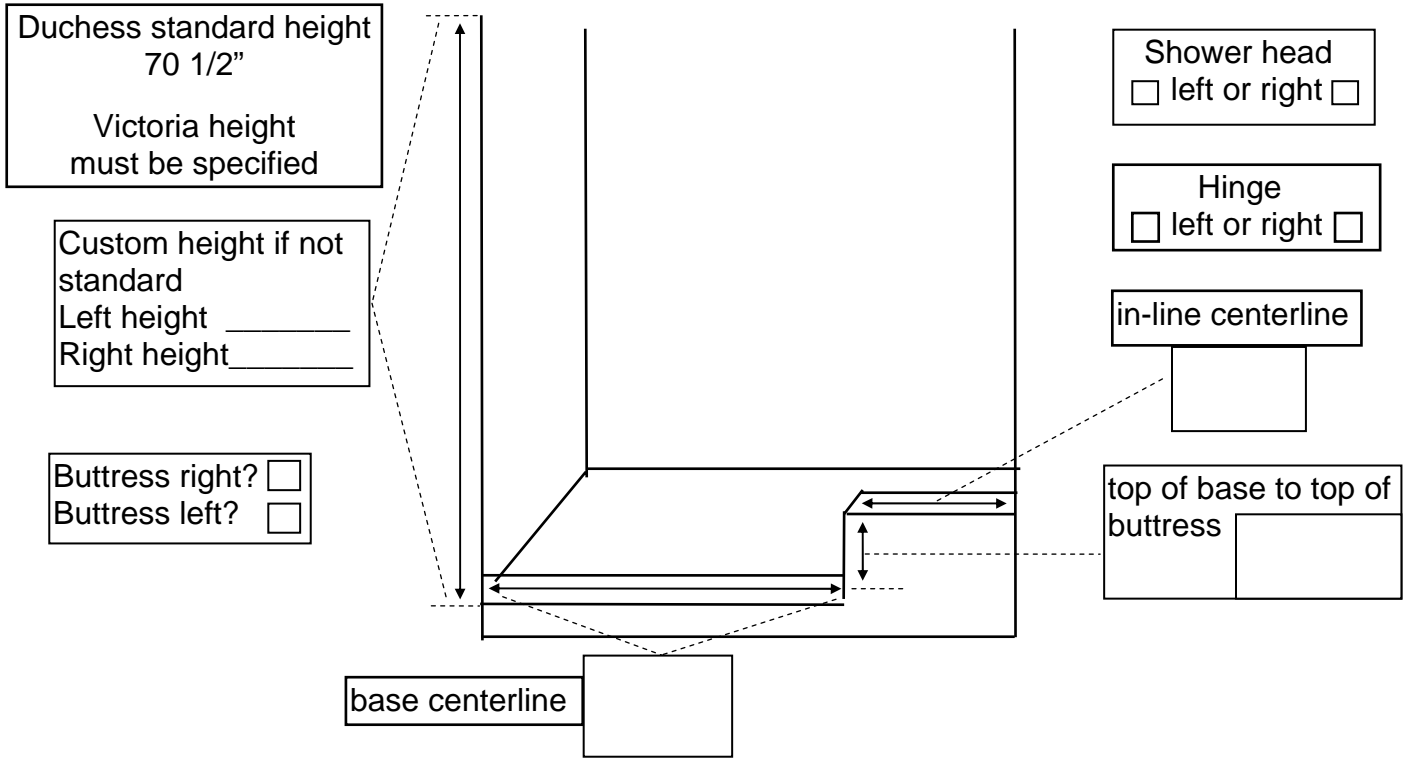
Middle opening

Bottom opening

Tapered base filler needed?
taper _____ to _____

MEASURING FORM FOR SHOWER DOORS WITH IN-LINE BUTTRESS PANELS

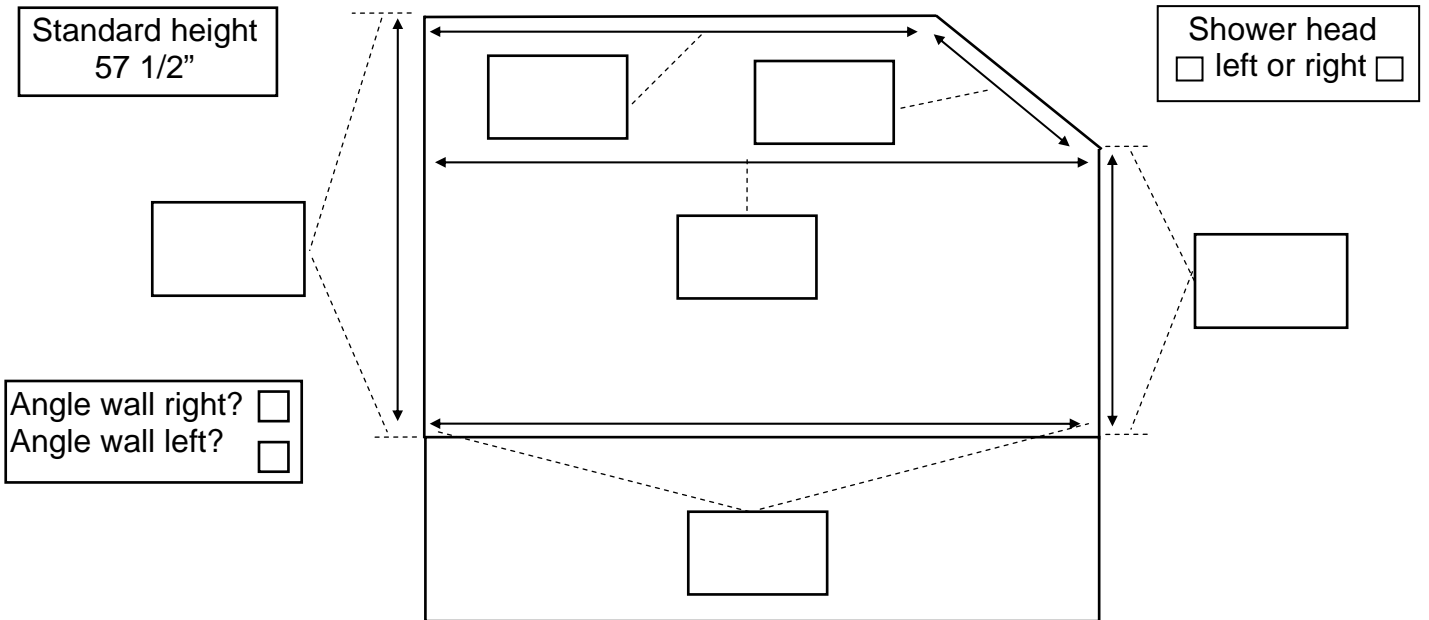
891-B DUCHESS® or 191-PB, 191-WB VICTORIA®



STYLE-RITE OF AMERICA®
118 SEGER AVENUE
CLIFTON, NJ 07011
TEL 973-478-1100 FAX 973-478-7880

MEASURING FORM FOR SHOWER DOORS WITH ANGLE-CUT PANELS

895 DUCHESS®



895-H DUCHESS®

